

AT A GLANCE

FEATURES

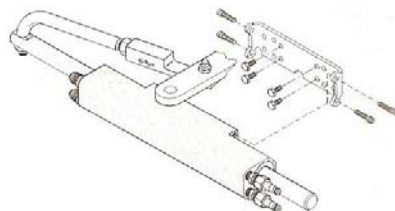
- Patented No Feedback Steering lock valves
- Low friction hydraulic steering system
- Compact helm has a 4-7/16" foot print needs only 3" dash hole
- 4.5 turns lock to lock
- Standard 3/4" tapered steering shaft
- Various alternative helm & cylinder combinations available (details available on request)
- Reuseable hose ends for ease of installation



HYNAUTIC HYTRAC HYDRAULIC OUTBOARD STEERING SYSTEM

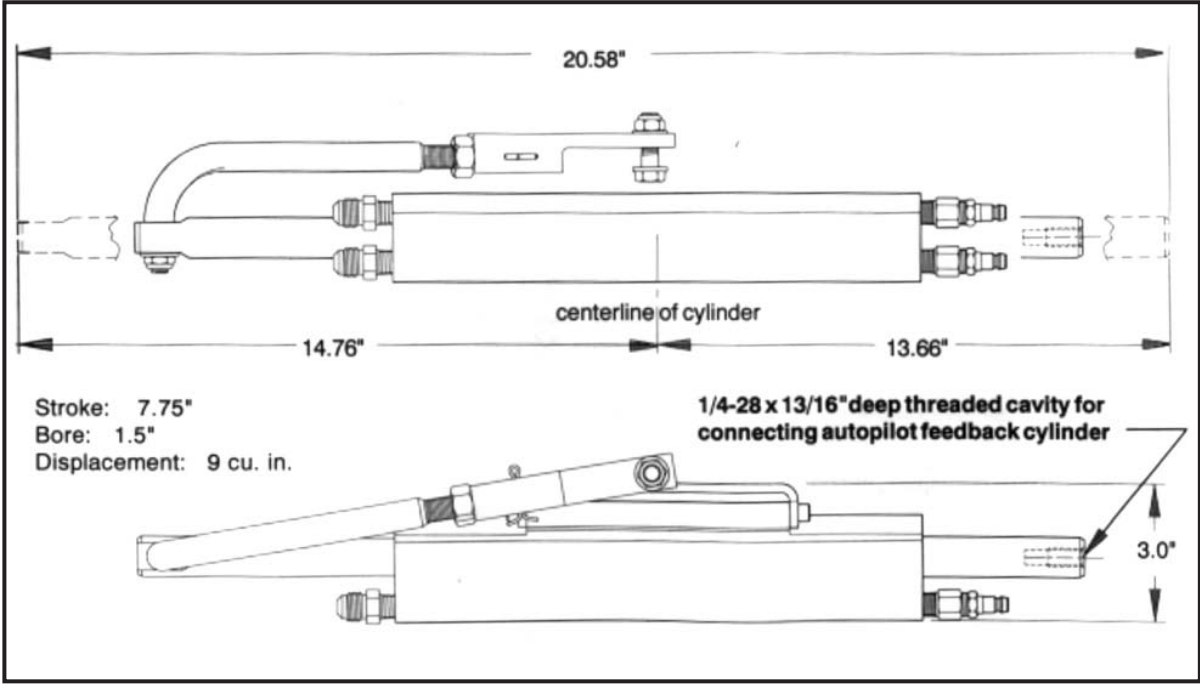
TECHNICAL DATA

The Hytrac system features the K-6 cylinder, which neatly mounts to V4 and V6 engines without using the tilt tube. The stationary mounting also eliminates hose wear. Suitable for outboard engine applications to 250 hp for singles (500 hp for counter-rotating twins).

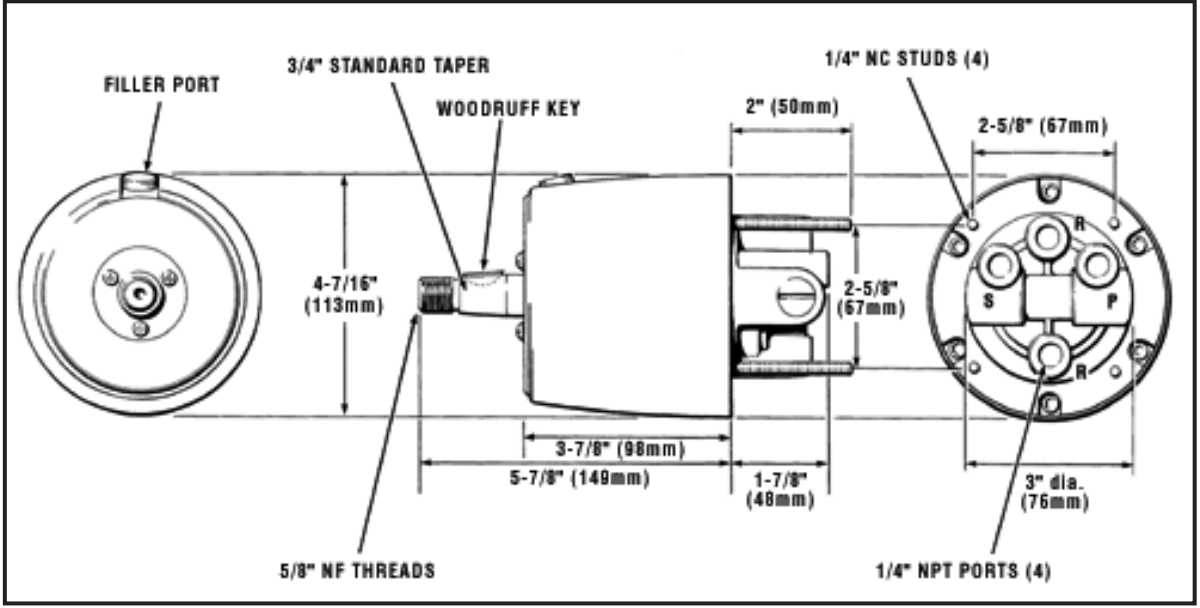


ORDER INFORMATION	PART NO.
Outboard steering kit w. 40ft flexible hose	HYTRAC-40
COMPONENTS	
2.0cu.in. helm	HH5273
Base Mount Cylinder	HYNK-6-NI
5/16" i.d. Marine Steering Hose	437620
5/16" reuseable hose end	HYN690110
Oil 1ltr	HA5430
OPTIONS	
Backmount kit for helm	HA5417
ALTERNATIVE CYLINDER MOUNTINGS	
Kit with tube mount cylinder & nylon tube	HY70-1N
Kit with splashwell mount cylinder & nylon	HY80-1N



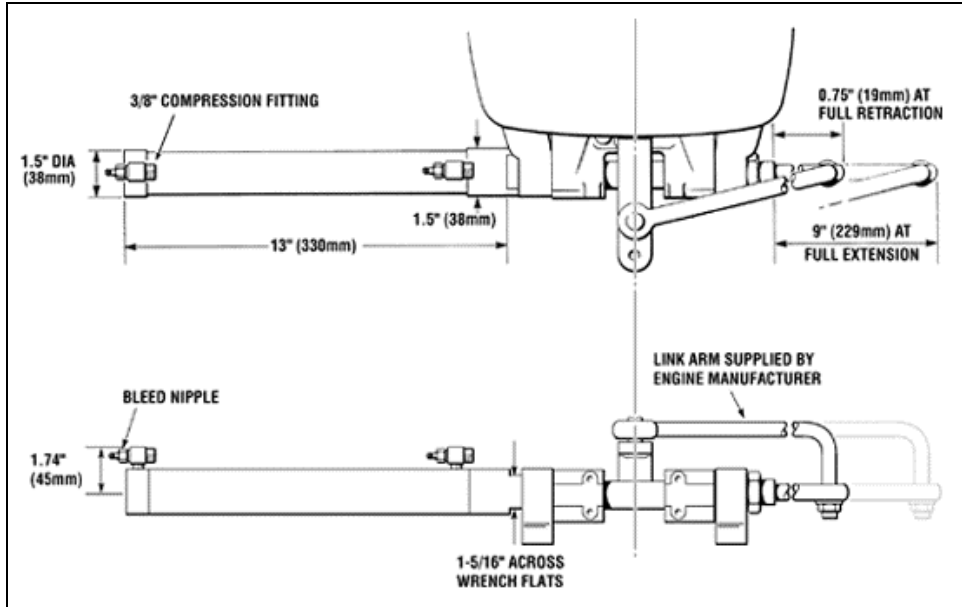


BASE MOUNT CYLINDER DIMENSIONS

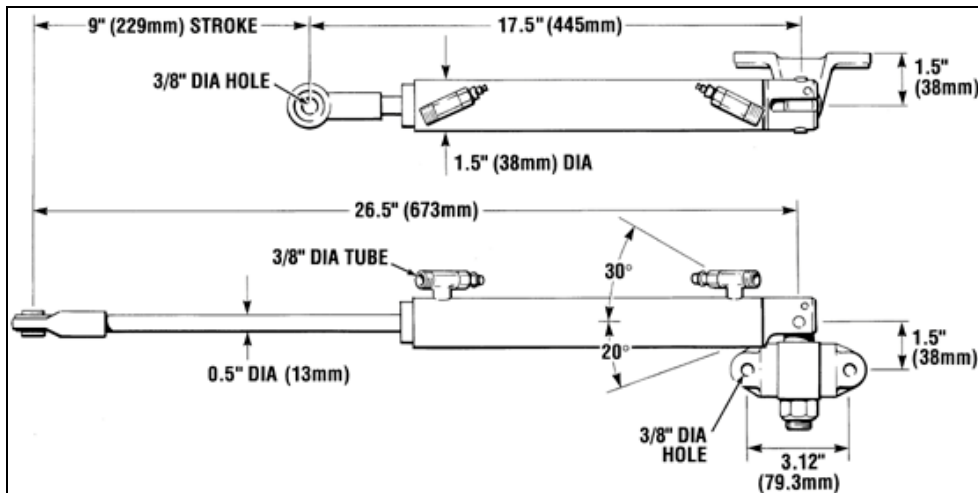


HELM DIMENSIONS





TUBE MOUNT CYLINDER DIMENSIONS



SPLASHWELL MOUNT CYLINDER DIMENSIONS

